

**ASTRAL**POOL 

# 2016 SELECT PROGRAM

ASTRALPOOL

## INTRODUCTION



At ASTRALPOOL, all our activities revolve around swimming pools. Regardless of the size or shape, Residential pools or Olympic pools, temporary or permanent, indoor or outdoor, hotels or local communities, sport complex or water parks, we have the capacity to provide you with the optimum solution.

Every year, ASTRALPOOL is involved in the construction of more than 500,000 pools worldwide. ASTRALPOOL is a multinational group of companies that includes 100 facilities in over 30 countries ready to provide you with quality products and services.

For over 35 years ASTRALPOOL has been providing quality swimming pool equipment, services and the ability to solve installation and design challenges in the residential and commercial pool industry.

ASTRALPOOL has ensured their position as a reference point in the swimming pool industry as the official Sponsor of FINA (the International Swimming Federation). Together with affiliated organizations including The Association of Pool & Spa Professional (APSP), World Water Park Association (WWA), Texas Public Pool Council (TPPC), American Zoo & Aquarium Association (AZA) and the National Recreation & Parks Association, ASTRALPOOL values its relationship with these organizations.

With 6 advanced production processes: plastic injection, polyester casting, stainless steel bending, fiberglass winding, thermoplastic blow-molding, and thermo-conform technology. Meeting and exceeding the demands of a global swimming pool market ASTRALPOOL is constantly researching and improving manufacturing techniques.

ASTRALPOOL takes great pride in professionalism, manufacturing techniques, rigorous quality control & engineering processes. We invite you to see for yourself how ASTRALPOOL became the world-wide industry leader.

# TABLE OF CONTENTS

PUMPS (Single Speed Pumps) .....	4
CTX Series	
BX Series	
P-280 Variable Speed Pump	
P-300 Variable Speed Pump	
P-580 Variable Speed Pump	
P-600 Variable Speed Pump	
FILTERS .....	10
ZX Cartridge Filter - IG	
Quad Large Cartridge Filter - IG	
Cantabric Sand Filter	
EC Sand Filter - AG	
HydroSpin	
CHLORINATORS .....	15
E-Series Salt Chlorinator	
VX Series Salt Chlorinator	
Viron eQuilibrium Chlorinator	
Astral In-Line and Off-Line Chlorine Feeder	
HEATING.....	19
HiNRG Heater	
AstralPool HeatPumps	
CONTROLS & AUTOMATION .....	23
Viron Connect 10	
LADDERS, SKIMMERS and HANDRAILS.....	24
Residential Ladders	
Residential Stair & Grab Rails	
Universal Residential Rail Accessories	
Skimmers	
VALVES.....	29
True Union Ball Valves - Newval Series	
True Union Ball Valves - e-QUA Series	
Butterfly Valves - Standard Series	

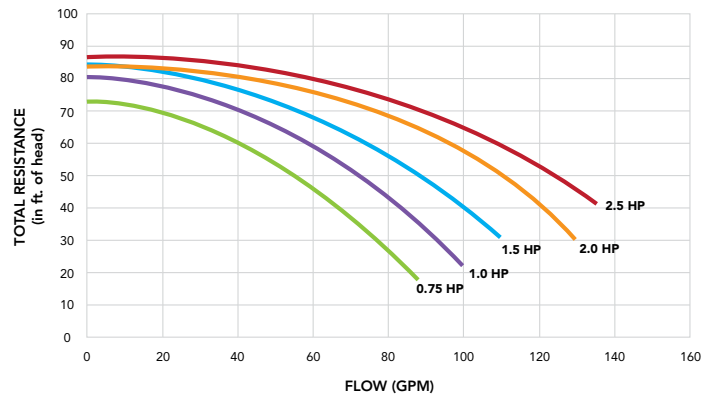
# PUMPS (Single Speed Pumps)

## CTX Series



- ✓ Low noise level and superior performance compared to industry standards
- ✓ Energy efficient motor resulting in lower operating costs
- ✓ Easy Off-Lid design with union connections for quick service
- ✓ Suitable for in-floor cleaning systems, spa jets and other demanding applications
- ✓ Universal Pump Base standard for fast simple installation

**SINGLE SPEED PUMP  
ENERGY SAVINGS FLOW CHART  
(0.75Hp – 2.50Hp)**



MODEL#	MODEL	VOLTS	PHASE	HORSE POWER	UNION CONNECTION
FSCTX0750	CTX 750	208-230/115	Single	0.75	1.5" and 2.0"
FSCTX1000	CTX 1000	208-230/115	Single	1.0	1.5" and 2.0"
FSCTX1500	CTX 1500	208-230/115	Single	1.5	1.5" and 2.0"
FSCTX2000	CTX 2000	208-230	Single	2.0	1.5" and 2.0"
FSCTX2500	CTX 2500	208-230	Single	2.5	1.5" and 2.0"

MODEL	Pump Output (GPM) vs. Total Resistance to Flow (PSI)					
	10 PSI	15 PSI	20 PSI	25 PSI	30 PSI	35 PSI
CTX 750	80	70	60	40	20	---
CTX 1000	95	90	80	60	40	---
CTX 1500	---	105	95	75	55	25
CTX 2000	---	125	115	95	75	40
CTX 2500	---	---	130	110	90	60



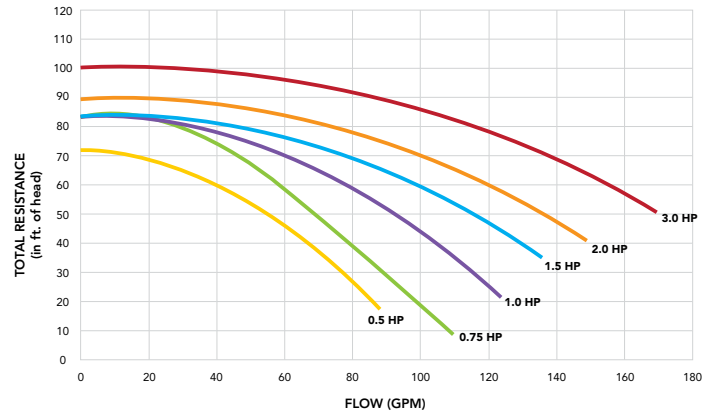
# PUMPS (Single Speed Pumps)

## BX Series



- ✓ Best in Class Hydraulic design for maximum flow performance
- ✓ Best in Class Pump body design for quiet operation
- ✓ Best in Class Pump basket design for low maintenance
- ✓ Best in Class Pump for overall efficiency design with maximum flow for demanding applications

SINGLE SPEED PUMP  
ENERGY FLOW CHART  
(0.5Hp – 3.0Hp)



MODEL#	MODEL	VOLTS	PHASE	HORSE POWER	UNION CONNECTION	
●	FSSP-C500	SP-C500	208-230/115	Single	0.50	2.0"
●	FSSP-C750	SP-C750	208-230/115	Single	0.75	2.0"
●	FSSP-C1000	SP-C1000	208-230/115	Single	1.0	2.0"
●	FSSP-C1500	SP-C1500	208-230/115	Single	1.5	2.0"
●	FSSP-C2000	SP-C2000	208-230	Single	2.0	2.0"
●	FSSP-C3000	SP-C3000	208-230	Single	3.0	2.0" and 3.0"

MODEL	Pump Output (GPM) vs. Total Resistance to Flow (PSI)					
	10 PSI	15 PSI	20 PSI	25 PSI	30 PSI	35 PSI
SP-C500	85	5	60	40	20	---
SP-C750	95	85	75	60	45	30
SP-C1000	120	110	100	80	60	30
SP-C1500	---	130	120	100	80	50
SP-C2000	---	---	145	120	100	80
SP-C3000	---	---	---	155	140	120



# PUMPS (Variable Speed Pumps)

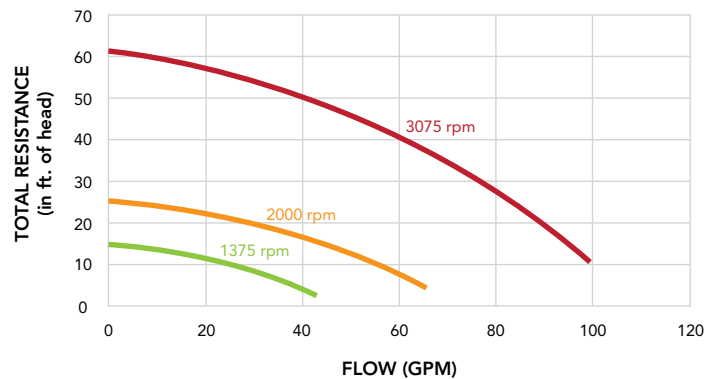
## P-280 Variable Speed Pump

MODEL #: FS593976



- ✓ Patented, high efficiency, variable speed pump saves on energy costs – up to 90% on energy costs!
- ✓ Near silent operation
- ✓ Universal “Title 20” replacement pump
- ✓ Environmentally friendly - save up to one ton of CO2 emissions per year
- ✓ Universal Pump base for ease of installation

### VARIABLE SPEED PUMP ENERGY SAVINGS FLOW CHART



- MOST EFFICIENT FLOW SETTING (up to 90% energy savings)
- MEDIUM EFFICIENT FLOW SETTING (up to 60% energy savings)
- STANDARD EFFICIENT FLOW SETTING (up to 20% energy savings)

Energy Cost Per Kilowatt Hour (kwh)	Estimated VSP-B Series Pump Savings Per Year*
\$0.16	up to \$1,500
\$0.20	up to \$1,800
\$0.30	up to \$2,700

\*Savings based on variable speed pump compared to a single-speed pump running 12 hours per day at an average of \$0.16 per kWh in a 20,000 gallon pool. Actual savings may vary based on local utility rates, pool size, pump run time, pump horsepower, pump rpm, plumbing size and length, pump model, service factor and other hydraulic factors.

# PUMPS (Variable Speed Pumps)

## P-300 Variable Speed Pump

MODEL #: FSVSP-C1500

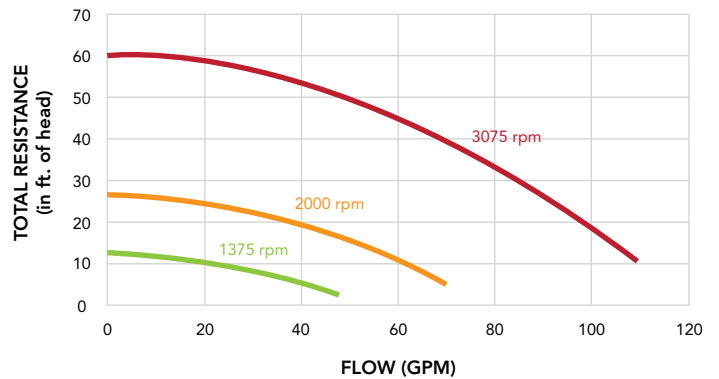


- ✓ International award winning - Best in Class Design
- ✓ Patented High efficiency, variable speed pump saves on energy costs
- ✓ Robust housing with XL basket for low maintenance and quiet operation
- ✓ Intuitive simple program design for ease of operation

Energy Cost Per Kilowatt Hour (kwh)	Estimated VSP-B Series Pump Savings Per Year*
\$0.16	up to \$1,600
\$0.20	up to \$1,900
\$0.30	up to \$2,800

\*Savings based on variable speed pump compared to a single-speed pump running 12 hours per day at an average of \$0.16 per kWh in a 20,000 gallon pool. Actual savings may vary based on local utility rates, pool size, pump run time, pump horsepower, pump rpm, plumbing size and length, pump model, service factor and other hydraulic factors.

VARIABLE SPEED PUMP ENERGY SAVINGS FLOW CHART



- MOST EFFICIENT FLOW SETTING (up to 90% energy savings)
- MEDIUM EFFICIENT FLOW SETTING (up to 60% energy savings)
- STANDARD EFFICIENT FLOW SETTING (up to 20% energy savings)

# PUMPS (Variable Speed Pumps)

## P-580 Variable Speed Pump

MODEL #: FS53979

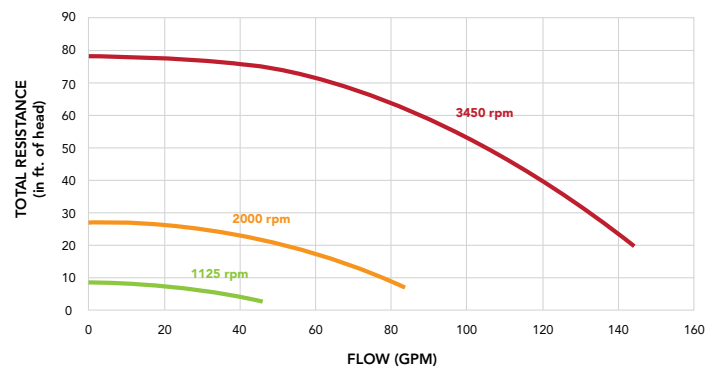


- ✓ Patented, high efficiency, variable speed pump saves on energy costs
- ✓ Near silent operation
- ✓ Universal "Title 20" replacement pump
- ✓ Environmentally friendly - save up to one ton of CO2 emissions per year

Energy Cost Per Kilowatt Hour (kwh)	Estimated VSP-B Series Pump Savings Per Year*
\$0.16	up to \$1,500
\$0.20	up to \$1,800
\$0.30	up to \$2,700

\*Savings based on variable speed pump compared to a single-speed pump running 12 hours per day at an average of \$0.16 per kWh in a 20,000 gallon pool. Actual savings may vary based on local utility rates, pool size, pump run time, pump horsepower, pump rpm, plumbing size and length, pump model, service factor and other hydraulic factors.

VARIABLE SPEED PUMP ENERGY SAVINGS FLOW CHART



- MOST EFFICIENT FLOW SETTING (up to 90% energy savings)
- MEDIUM EFFICIENT FLOW SETTING (up to 60% energy savings)
- STANDARD EFFICIENT FLOW SETTING (up to 20% energy savings)





# PUMPS (Variable Speed Pumps)

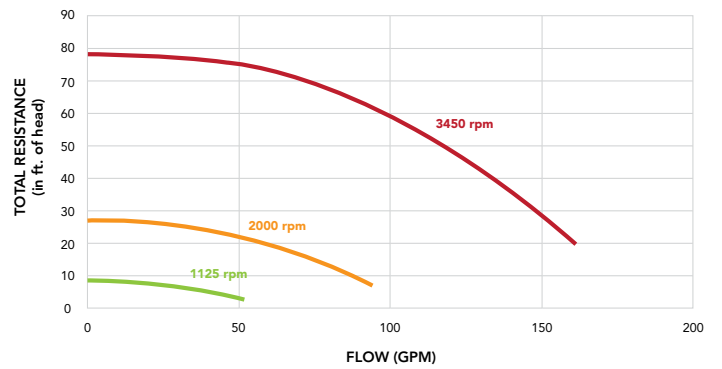
## P-600 Variable Speed Pump

MODEL #: FSVSP-C2500



- ✓ International award winning - Best in Class Design
- ✓ Patented High efficiency, variable speed pump saves on energy costs
- ✓ Robust housing with XL basket for low maintenance and quiet operation
- ✓ Intuitive simple program design for ease of operation

VARIABLE SPEED PUMP ENERGY SAVINGS FLOW CHART



Energy Cost Per Kilowatt Hour (kwh)	Estimated VSP-B Series Pump Savings Per Year*
\$0.16	up to \$1,600
\$0.20	up to \$1,900
\$0.30	up to \$2,800

\*Savings based on variable speed pump compared to a single-speed pump running 12 hours per day at an average of \$0.16 per kWh in a 20,000 gallon pool. Actual savings may vary based on local utility rates, pool size, pump run time, pump horsepower, pump rpm, plumbing size and length, pump model, service factor and other hydraulic factors.

- MOST EFFICIENT FLOW SETTING (up to 90% energy savings)
- MEDIUM EFFICIENT FLOW SETTING (up to 60% energy savings)
- STANDARD EFFICIENT FLOW SETTING (up to 20% energy savings)

# FILTERS

## ZX Cartridge Filter - IG



- ✓ High performance – low maintenance, water saving filter
- ✓ Unique quick access, tool free lid design for ease of service
- ✓ Flexible installation options with multiple plumbing ports
- ✓ Long life chemical resistance design with quality components

MODEL#	Model	Flow Rate	Filter Area	Weight	Height	Width	Union Connection
FS53970	ZX 50	50 GPM	50 ft <sup>2</sup>	19 lb	18.5"	13.8"	1.5" and 2"
FS53971	ZX 75	75 GPM	75 ft <sup>2</sup>	19 lb	18.5"	13.8"	1.5" and 2"
FS53972	ZX 100	100 GPM	100 ft <sup>2</sup>	27 lb	26.6"	13.8"	1.5" and 2"
FS53973	ZX 150	120 GPM	150 ft <sup>2</sup>	33 lb	34.6"	13.8"	1.5" and 2"
FS53974	ZX 200	130 GPM	200 ft <sup>2</sup>	33 lb	34.6"	13.8"	1.5" and 2"
FS53975	ZX 250	135 GPM	250 ft <sup>2</sup>	33 lb	34.6"	13.8"	1.5" and 2"
FS10046	ZX 310	150 GPM	310 ft <sup>2</sup>	39 lb	42.6"	13.8"	1.5" and 2"

# FILTERS

## Quad Large Cartridge Filter - IG



- ✓ High performance – low maintenance, water saving filter
- ✓ Unique quick access, tool free lid design for ease of service
- ✓ Flexible installation options with multiple plumbing ports
- ✓ Long life chemical resistance design with quality components

Product	Part Code	Elements	Filter Area	Connections	Max Flow Rate gpm
Q-440 CARTRIDGE FILTER	USQ4404	4	440 SF	2"	150 gpm
Q-540 CARTRIDGE FILTER	USQ5404	4	540 SF	2"	150 gpm

# FILTERS

## Cantabric Sand Filter



**Description:**

The Cantabric Sand Filter produces crystal clear water using fine sand or recycled crushed glass media as the filter medium. Each filter incorporates an engineered multiport valve to direct the water flow and minimise the resistance through the filter, making the Cantabric ideal for today's energy efficient high performance pumps.



**Ordering:**

Please specify product number when ordering.

**Warranty Guide:**

Each filter is covered by a limited 10 year warranty on the tank and 12 month warranty on the valve and internals.

- ✓ **Low pressure loss, requires less power consumption for optimal flow rates**
- ✓ **Designed for variable speed energy efficient pumps**
- ✓ **Fully injection moulded for high strength and long life**
- ✓ **Suitable for Sand, Viron Glass and other filtration medias**

Product	Part Code	Diameter (in / mm)	Max Flow Rate (lpm)	Required Sand	Viron Glass Coarse	Viron Glass Fine
Cantabric C180 Top Mount Filter (1.5")	US10091	21"	48 GPM	200 LBS	2	3
Cantabric C280 Top Mount Filter (1.5")	US10092	25"	74 GPM	275 LBS	3	4
Cantabric C320 Top Mount Filter (2.0")	US10090	25"	85 GPM	275 LBS	3	4
Cantabric C400 Top Mount Filter (2.0")	US10093	31"	105 GPM	500 LBS	5	8

# FILTERS

## EC Sand Filter - AG



**Description:**

Simple and easy installation means lower installation and maintenance costs. High quality components such as oil filled pressure gauge, corrosion free valve connections and fast draining of water and filter media for maintenance mean the EC Sand Filter is not only economical to purchase but is economical and easy to maintain and service for the life of the product.

**Ordering:**

Please specify product number when ordering.

**Warranty Guide:**

Each filter is covered by a limited 10 year warranty on the tank and 12 month warranty on the valve and internals.

- ✓ **Injection Moulded High Strength Tank**
- ✓ **High Strength Materials for Long Life**
- ✓ **Suitable for In-Ground and Above-Ground Pools**
- ✓ **10-Year Warranty on Tank**

Product	Part Code	Diameter (in)	Connections	Max Flow Rate gpm	Required Sand
EC550 Top Mount Filter	US10094	21"	1.5"	48 gpm	175 lbs
EC650 Top Mount Filter	US10095	25"	1.5"	74 gpm	265 lbs



# FILTERS

## HydroSpin



(inside functional view)

**Description:**

Hydrocyclone pre-filter cleaning device that can be fitted to filtration systems both new and old. Fitted between pump and filter to separate out solids of up to 40 micron.

MODEL#	Model	Description
FS54185	HydroSpin	HydroSpin, Pre-Filter, Residential



# CHLORINATORS

## E-Series Salt Chlorinator



### Description:

Using the same platform as the renowned VX, the E Series simplifies the operation and functionality to provide a low cost, low maintenance salt chlorinator suitable for residential pools up to 120,000L. Full Reverse Polarity Salt Chlorinator. Two time periods. Ideal for Real Estate market applications and the budget conscious consumer.

### Ordering:

Please specify product number when ordering.

### Warranty Guide:

2 Year warranty

Refer to instructions and website for full warranty details

- ✓ Automatically disinfects and sanitizes pool and spa water
- ✓ Self-cleaning and low maintenance
- ✓ Designed for tough conditions
- ✓ Affordable, robust and reliable

Model	Product Code	Chlorine Output Per Hour	Chlorine Output Per Day	Pool Size Gallons
E25	US10089	25gms	1.32 lbs	25,000
E35	US10984	35gms	1.85 lbs	35,000

# CHLORINATORS

## VX Series Salt Chlorinator



**Description:**

VX Reverse Polarity Self Cleaning Salt Chlorinators, 50mm water connections on cell housing, sophisticated electronic control over reversing times extends Cell life. Large LCD user interface, Genus remote compliant, Spa Mode Output, Low Salt 4000 ppm. Safety Backwash feature with Run Dry pump protection.

**Ordering:**

Please specify product number when ordering.

**Warranty Guide:**

5 Year Pro Rata Warranty on Power Pack

5 Year on Cell. Refer to instructions and website for full warranty details

- ✓ **Automatic Natural Salt Medium Sanitization System**
- ✓ **Robust and reliable construction for extreme weather conditions**
- ✓ **Self cleaning for low maintenance and long life**
- ✓ **Touch pad and time clock for simple one source automation**

VX SERIES SPECIFICATIONS				
MODEL #	MODEL	TIME CLOCK	CHLORINE OUTPUT (PER DAY)	POOL VOLUME (GALLONS)
FS53958	VX-7S	NO	1.2 lbs	35,000
FS53959	VX-7T	YES	1.2 lbs	35,000
FS53960	VX-11S	NO	2.2 lbs	50,000
FS53961	VX-11T	YES	2.2 lbs	50,000





# CHLORINATORS



## Viron eQuilibrium Chlorinator



### Description:

Viron eQuilibrium Chlorinator is available in 4 sizes from 18 gm/hr to 45 gm/hr and in three versions - semi auto pH control, fully automatic pH control and fully automatic pH and Chlorine Control. The semi auto pH control has intelligent software to adjust the dosing rate of acid according to the electrode output which affects the pH increase during operation. Add the pH sensor kit (part number 520135) to fully sense and control the pH of the pool water automatically. Further add the chlorine sensor kit (part number 520136) to automatically control chlorine levels in the pool. Correct pH and chlorine create perfect swimming conditions, help protect pool shell, interior finish and pool equipment. Select the intelligent Ai Mode when connected to a Viron eVo pump to allow the chlorinator to automatically determine hours of operation, chlorine production, pH balance and continually monitor and react to chlorine demand, even when pump is normally off.

### Ordering:

Select the correct size chlorinator to match your pool volume and weather conditions then order pH kit and chlorine kit to automate chlorine levels and water balance.

### Warranty Guide:

5 years unconditional on Cell, 5 year pro rata on controller, 1 year on pH and chlorine sensor, 1 year on consummable parts such as squeeze tubes and dosing hoses. Refer [astralpool.com.au](http://astralpool.com.au) for full warranty details. warranty details.

- ✓ 4 sizes to suit all pools
- ✓ 3 models to suit all budgets
- ✓ Upgrade from semi-automatic pH control through to full chlorine and pH sensing and control
- ✓ A.I. Mode (Automatic Intelligence) for total pool control

Model	Product Code	Output Per Hour	Output Per Day	Pool Size Gallons	Warm Climate Gallons
EQ18 Chlorinator	US12803	18 gms	0.95 lbs	15,000	10,500
EQ25 Chlorinator	US12804	25 gms	1.32 lbs	25,000	16,000
EQ35 Chlorinator	US12805	35 gms	1.85 lbs	35,000	21,000
EQ45 Chlorinator	US12806	45 gms	2.38 lbs	45,000	28,000

Model	Product Code
pH Probe Kit	US520135
Chlorine Sensor Kit (Includes 10' RJ12 Cable)	US520136





# CHLORINATORS

## Astral In-Line and Off-Line Chlorine Feeder



### Description:

In-line and Off- Line Chlorine feeder. Approx capacity 8lbs of tablets, lid closing with double safety system. Easy to operate regulation valves. For pools up to 50,000 with chlorine.. Height 24" with 2" & 1.5" connectors. Part # 24429

### Ordering:

Please specify product number when ordering.

### Warranty Guide:

2 Year warranty

Refer to instructions and website for full warranty details

- ✓ Automatically disinfects and sanitizes pool and spa water
- ✓ Self-cleaning and low maintenance
- ✓ Designed for tough conditions
- ✓ Affordable, robust and reliable

Model	Product Code	Capacity (lbs)	Height (In)	Connection Sizes	Pool Size Gallons
IN LINE CHLORINE FEEDER	24429	8	24"	1.5"/2"	50,000
OFF LINE CHLORINE FEEDER	24430	8	24"	1.5"/2"	50,000

# HEATING

## HiNRG Heater



### Description:

High efficiency Gas Heater with fixed premixed combustion in a compact footprint and low height. Modulating burner maintains accurate spa and pool temperature by turning down gas input when water temperature is within 1 degree of set point. Self-cooling headers and corrosion resistant copper nickel heat exchanger. Simple flue kit to convert from outdoor to indoor installations. Sophisticated Thermostat diagnoses heater status, hours of use and consumable parts usage. Easily adjustable feet enable simple leveling of heater on uneven installation pads.

### Ordering:

Specify Product code.

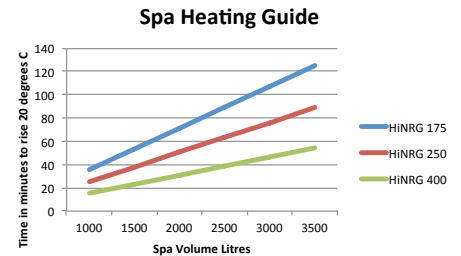
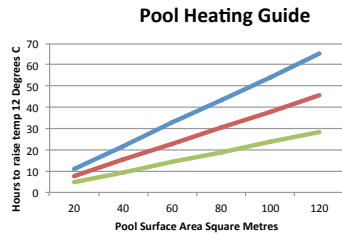
Available in Natural Gas models or LP Gas models.

For heaters installed outdoors, order flue conversion kit.

Maximum length of flue is 16 metres so 3 x flue extensions can be ordered to complete 16 metre flue length.

### Warranty Guide:

5 year Limited Warranty. Refer to website for full warranty terms and conditions.



Model	"A" Dim	Gas Conn	Indoor Flue Conn	MJ/Hr Input	kW Output	Water Flow gpm
HiNRG 175 Gas Heater	23"	3/4"	6"	175	39	31-135
HiNRG 250 Gas Heater	26"	3/4"	6"	250	55	32-135
HiNRG 400 Gas Heater	34"	3/4"	6"	400	90	33-135

Model	Product Code - NAT	Product Code - LPG
HiNRG 175 Gas Heater	US15800	US158001
HiNRG 250 Gas Heater	US15801	US158011
HiNRG 400 Gas Heater	US15802	US158021

### HiNRG Gas Heater Accessories

Model	Product Code
Indoor Flue Kit (4m) including termination Cowl and clamps	US78285
Flue Extension kit (5' x 5")	US78249
Flue Extension kit (13' x 5")	US78259
Flow Switch 2"	US10673
3/4" Pressure Relief Valve	US162638

# HEATING



AHP-100 Swimming Pool Heat Pump		
Test Point	BTU	COP
80 / 80 / 80	95,000	6.3
(Outside AHRI Standard)		
AHRI TEST POINTS		
80 / 63 / 80	84,000	5.8
50 / 63 / 80	56,000	4.0

Minimum AMPs / Maximum Breaker: 37 / 40  
 Water Flow: 20 / 70 GPM  
 Recommended Flow: 45 GPM  
 Plumbing Size: 2.0"  
 Thermostats: 50-104° F  
 Dimensions: 31" x 31" x 34"  
 Shipping Dimensions: 33" x 31" x 39"  
 Weight: 210 lbs  
 Shipping Weight: 245 lbs

MODEL #: FSAHP-100



AHP-110 Swimming Pool Heat Pump		
Test Point	BTU	COP
80 / 80 / 80	110,000	6.4
(Outside AHRI Standard)		
AHRI TEST POINTS		
80 / 63 / 80	99,000	6.0
50 / 63 / 80	66,000	4.1

Minimum AMPs / Maximum Breaker: 37 / 40  
 Water Flow: 20 / 70 GPM  
 Recommended Flow: 45 GPM  
 Plumbing Size: 2.0"  
 Thermostats: 50-104° F  
 Dimensions: 31" x 31" x 38"  
 Shipping Dimensions: 33" x 31" x 43"  
 Weight: 218 lbs  
 Shipping Weight: 253 lbs

MODEL #: FSAHP-110

# HEATING



<b>AHP-125 Swimming Pool Heat Pump</b>		
Test Point	BTU	COP
80 / 80 / 80	120,000	6.3
(Outside AHRI Standard)		
<b>AHRI TEST POINTS</b>		
80 / 63 / 80	109,000	5.9
50 / 63 / 80	74,000	4.1

Minimum AMPs / Maximum Breaker: 37 / 40  
 Water Flow: 20 / 70 GPM  
 Recommended Flow: 45 GPM  
 Plumbing Size: 2.0"  
 Thermostats: 50-104° F  
 Dimensions: 31" x 31" x 38"  
 Shipping Dimensions: 33" x 31" x 43"  
 Weight: 218 lbs  
 Shipping Weight: 253 lbs

MODEL #: FSAHP-125



<b>AHP-150 Swimming Pool Heat Pump</b>		
Test Point	BTU	COP
80 / 80 / 80	136,000	6.0
(Outside AHRI Standard)		
<b>AHRI TEST POINTS</b>		
80 / 63 / 80	124,000	5.4
50 / 63 / 80	85,000	4.1

Minimum AMPs / Maximum Breaker: 37 / 50  
 Water Flow: 20 / 70 GPM  
 Recommended Flow: 45 GPM  
 Plumbing Size: 2.0"  
 Thermostats: 50-104° F  
 Dimensions: 31" x 31" x 38"  
 Shipping Dimensions: 33" x 31" x 43"  
 Weight: 222 lbs  
 Shipping Weight: 257 lbs

MODEL #: FSAHP-150

# HEATING

## AstralPool HeatPumps

The Heat / Cool option provides pool heating, pool cooling or maintaining a desired set temperature in you pool by heating or cooling as necessary. This feature also allows for operation of the heater down to freezing temperatures (32 degrees F) by using hot gas defrost instead of the typical air defrost. This is great for maintaining your pool temperature during a cold snap.



AHP-125 HC Swimming Pool Heat Pump		
Test Point	BTU	COP
80 / 80 / 80	114,000	6.1
(Outside AHRI Standard)		
AHRI TEST POINTS		
80 / 63 / 80	107,000	5.7
50 / 63 / 80	72,000	4.0

Minimum AMPs / Maximum Breaker: 37 / 50

Water Flow: 20 / 70 GPM

Recommended Flow: 45 GPM

Plumbing Size: 2.0"

Thermostats: 50-104° F

Dimensions: 32" x 32" x 40"

Shipping Dimensions: 34" x 32" x 45"

Weight: 222 lbs

Shipping Weight: 257 lbs

MODEL #: FSAHP-125HC



*The Heat / Cool option provides pool heating, pool cooling or maintaining a desired set temperature in you pool by heating or cooling as necessary. This feature also allows for operation of the heater down to freezing temperatures (32 degrees F) by using hot gas defrost instead of the typical air defrost. This is great for maintaining your pool temperature during a cold snap.*





# CONTROLS & AUTOMATION



## Viron Connect 10



### Description:

Viron Connect is an interactive touch screen LCD control suitable for installing anywhere undercover that connects all pool and spa equipment for easy operation and personalisation for your pool and spa customers. Install the optional Internet Gateway (part code 10030), download "Connect my pool" app from iTunes or Android store and operate your pool from anywhere in the world.

Viron Connect's software is based on a Single Touch Favourite Mode system. All your favourite operating modes for the pool and / or spa system are programmed and personalised so that a single touch will activate your pool or spa.

"Night Time Spa" (heater on, filter pump, motorised valves, jet pump and spa light) can all be programmed to come on at the touch of a Single Personalised Favourite Mode.

"School Holidays" may be named and personalised to turn a waterfall, pool heater and night light on.

Viron Connect has 10 equipment outlets, 4 motorised valve outlets, in-built solar automation, inputs / outputs and all individually named to represent the piece of equipment plugged into the Relay box.

### Warranty Guide:

12 months warranty (return to factory for labour in-field warranty)

Model	Product Code
Viron Connect 10 Pool & Spa Controller	15200

### Accessories

Model	Product Code
Internet Gateway for Connect 10 - enables mobile control of your pool and spa	10030
Valve non lube 50mm 3 Port - Permaseal	10940
Valve Actuator	10945
Touch Screen Transceiver	10016
Equipment Side Transceiver	10017
RF Remote Transceiver	10019
FM Remote Control 8 Channel Waterproof Handset	15205
Temperature and Solar Sensor Kit	520146



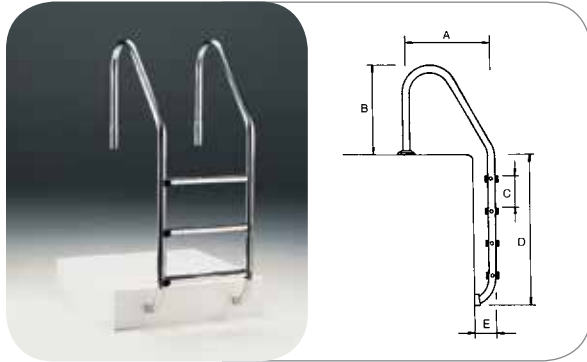
### Interface Cables

Model	Product Code
RJ12 Remote Cable - 10'	US10910
RJ12 Remote Cable - 33'	US10925
RJ12 Remote Cable - 65'	US10926
RJ12 Remote Cable - 165'	US10927



# LADDERS, SKIMMERS and HANDRAILS

## Residential Ladders

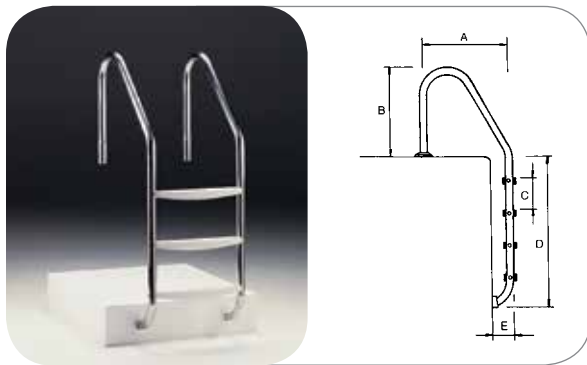


LADDERS WITH STAINLESS STEEL STEPS	MODEL #	# of CARTONS	WEIGHT (lbs)
2 Steps - Bumpers Included	FS07634	1	20
3 Steps - Bumpers Included	FS07635	1	24
4 Steps - Bumpers Included	FS07636	1	28

Deck mounting hardware not included; Please order separately.

STEPS	A	B	C	D	E
2	24"	24"	10"	26"	7"
3	24"	24"	10"	36"	7"
4	24"	24"	10"	46"	7"

304 Stainless Steel

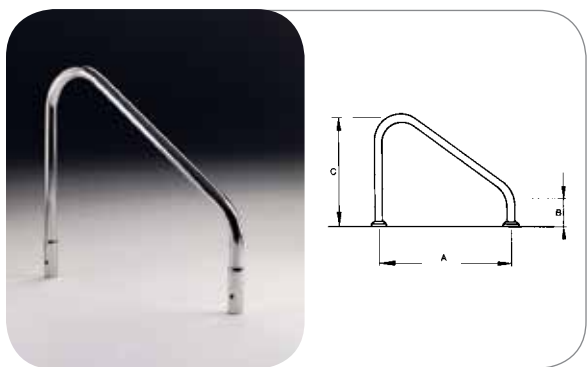


LADDERS WITH STAINLESS PLASTIC STEPS	MODEL #	# of CARTONS	WEIGHT (lbs)
2 steps - Bumpers Included	FS07642	1	18
3 steps - Bumpers Included	FS07643	1	23
4 steps - Bumpers Included	FS07644	1	24

Deck mounting hardware not included; Please order separately.

STEPS	A	B	C	D	E
2	24"	24"	10"	26"	7"
3	24"	24"	10"	36"	7"
4	24"	24"	10"	46"	7"

304 Stainless Steel



DECK MOUNTED HANDRAILS (SET OF 2)	MODEL #	# of CARTONS	WEIGHT (lbs)
Deck Mounted Handrail - 30"	FS07685	2	6
Deck Mounted Handrail - 32"	FS30791	2	6
Deck Mounted Handrail - 36"	FS07686	2	6
Deck Mounted Handrail - 42"	FS07687	2	6

Deck Mounting Hardware not included, please order separately.

PART #	A	B	C
FS07685	30"	6"	25"
FS30791	32"	6"	25"
FS07686	36"	6"	25"
FS07687	42"	6"	25"

304 Stainless Steel



U-FRAME DIVE STANDS	MODEL #	# of CARTONS	WEIGHT (lbs)
U-Frame Stand - 18"	FS15677	1	11

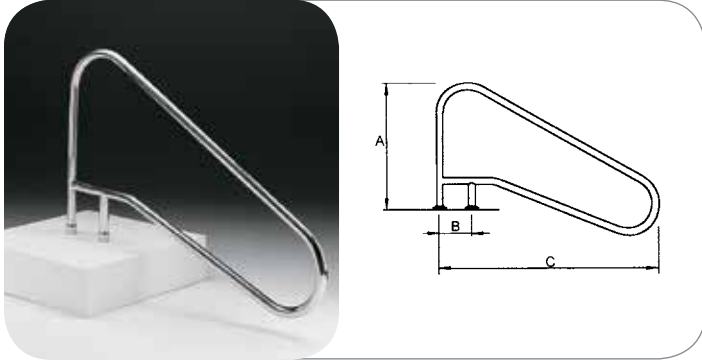
U-Frame Dive Stands are constructed of finished stainless steel, fits standard dive boards. Price per set of two U-Frame complete, with fulcrum pad. Made with 304 Stainless Steel.

CODE	A	B
FS15677	18"	1.7" x 0.049



# LADDERS, SKIMMERS and HANDRAILS

## Residential Stair & Grab Rails



DECK MOUNTED HANDRAIL CROSSED BRACE	MODEL #	# of CARTONS	WEIGHT (lbs)
Deck Mounted Handrail	FS11030	5	75

Deck Mounting Hardware not included, please order separately.

PART #	A	B	C
FS11030	33"	8"	54"

304 Stainless Steel

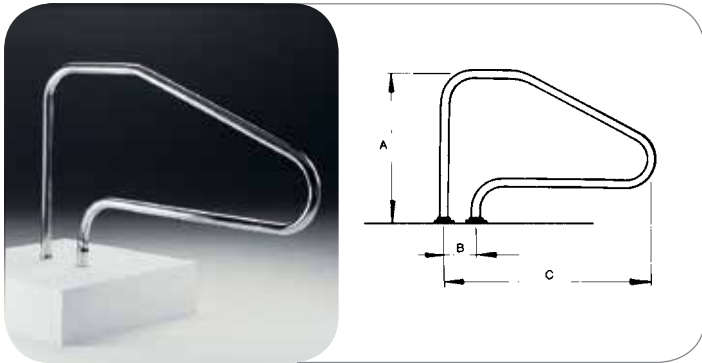


FIGURE-4 GRAB RAIL	MODEL #	# of CARTONS	WEIGHT (lbs)
Deck Mounted Stair Rail	FS07659	1	15

Deck Mounting Hardware not included, please order separately.

PART #	A	B	C
FS07659	32"	8"	50"

304 Stainless Steel

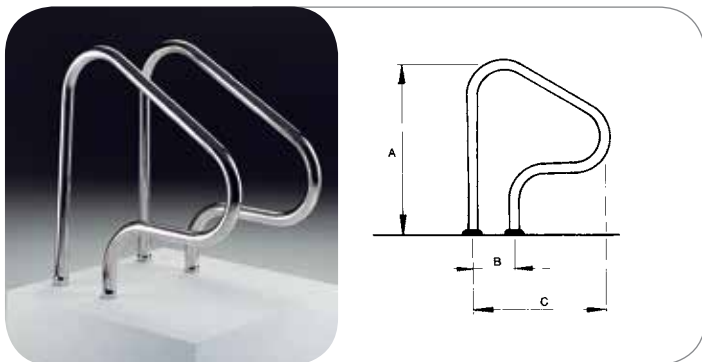


FIGURE-4 GRAB RAIL	MODEL #	# of CAR- TONS	WEIGHT (lbs)
Figure-4 Grab Rail	FS07660	1	18

Deck Mounting Hardware not included, please order separately.

PART #	A	B	C
FS07660	30"	8"	28"

304 Stainless Steel



U-FRAME DIVE STANDS	MODEL #	# of CAR- TONS	WEIGHT (lbs)
U-Frame Stand - 18"	FS15677	1	11

U-Frame Dive Stands are constructed of finished stainless steel, fits standard dive boards. Price per set of two U-Frame complete, with fulcrum pad. Made with 304 Stainless Steel.

PART #	A	B
FS15677	18"	1.7" x 0.049"

# LADDERS, SKIMMERS and HANDRAILS

## Universal Residential Rail Accessories



DELUXE STAINLESS STEEL STEP	MODEL #	# of CAR-TONS	WEIGHT (lbs)
Stainless Steel Step: 1.7" outside diameter	FS00001R0100	1	2
Stainless Steel Step: 1.9" outside diameter	FS07634R0100	1	2



PLASTIC STEP	MODEL #	# of CAR-TONS	WEIGHT (lbs)
Plastic Step for 1.7" O.D.	FS05500R0001	1	1
Plastic Step for 1.9" O.D.	FS07642R0001	1	1



LADDER ACHORS WITH GROUND (4.0")	MODEL #	# of CAR-TONS	WEIGHT (lbs)
Anchors for 1.9" O.D. Glass filled PP	FS07661	2	1



ANCHOR SETS	MODEL #	# of CAR-TONS	WEIGHT (lbs)
Bronze anchor (1.9" O.D. forged set - Ladder)	FSPC-4020-B	1	4
Bronze anchor only (1.9" O.D. - Ladder)	FSPS-4019-BC	1	4
Aluminum anchor only (1.9" O.D. - Ladder)	FSPS-4019-B	1	---
Gibraltar anchor Set (1.9" - Rail)	FSPC-CIB-A	1	6
Aluminum anchor (1.9" O.D.) - 8.0" O.C., Rail)	FSPC-40008-B	10	33



ESCUTCHEON PLATE	MODEL #	# of CAR-TONS	WEIGHT (lbs)
304 Stainless Steel Plate for 1.9" O.D. Ladder	FS06669	1	0.12



UNIVERSAL RUBBER LADDER BUMPER	MODEL #	# of CAR-TONS	WEIGHT (lbs)
Fits both 1.7" and 1.9" ladder ends	FS18160	1	0.03



S.S. BOLT KIT	MODEL #	# of CAR-TONS	WEIGHT (lbs)
Bolt kit for 1.9" diameter ladders	FS07643R2222	6	0.25

# LADDERS, SKIMMERS and HANDRAILS

## Skimmers



FS45734

### DELUXE IN-GROUND SKIMMERS - CONCRETE POOLS

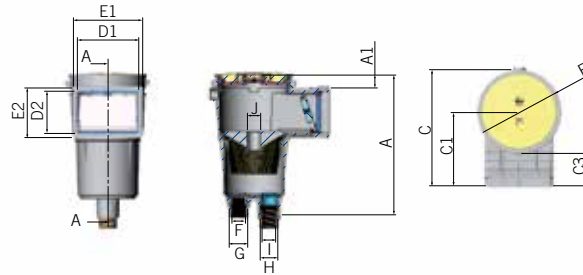
Deluxe skimmers are constructed with injection molded polypropylene. Features a standard pull off style lid and water 1.0" water level connection, Edge clips to lock down leaf basket and vacuum plate. Extension collars available but sold separately.

IN-GROUND SKIMMERS CONCRETE POOLS DELUXE	MODEL #	# of CARTONS	WEIGHT (lbs)
Deluxe In-Ground Pool Skimmer - 2.0" x 2.5" Ports	FS45734	1	9
Deluxe In-Ground Pool Skimmer - 2.0" x 2.5" Ports (Extended Throats)	FS45735	1	10

PART #	A max	A min	A1 max	A1 min	ØB	C	C1	C3	D1	D2	E1	E2	F	G	H	I	ØJ
FS07563	20 3/16"	18 5/8"	3 7/16"	1 3/4"	10 7/8"	15 1/2"	9 3/4"	4 5/16"	8"	5 5/8"	9	6 5/8"	2" S	1 1/2" T	2" T	1 1/2" T	1 3/4"



FS45735



FS2883

### STANDARD IN-GROUND SKIMMERS - POLYMER / VINYL / STEEL POOLS

Standard skimmers are constructed with injection molded polypropylene. Features a standard pull off style lid and water 1.0" water level connection, Edge clips to lock down leaf basket and vacuum plate. Extension collars available but sold separately.

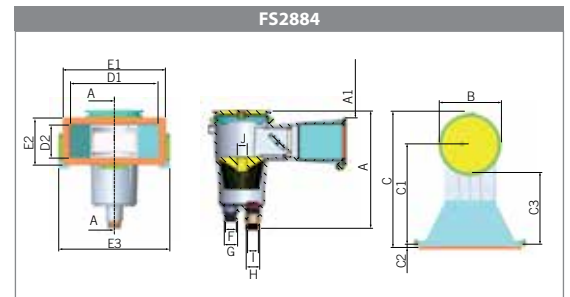
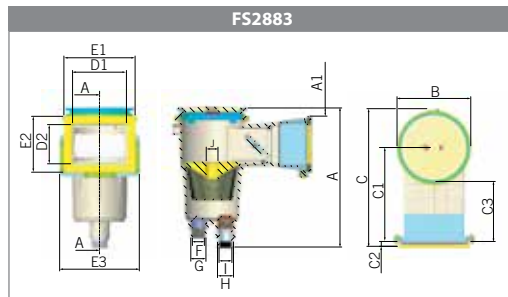
IN-GROUND SKIMMERS POLYMER / VINYL / STEEL POOLS	MODEL #	# of CARTONS	WEIGHT (lbs)
Round Lid - Adjustable Lid	FS28883	1	15
Round Lid - Adjustable Lid, (Wide Mouth)	FS28884	1	16

PART #	A max	A min	A1 max	A1 min	ØB	C	C1	c2	c3	D1	D2	e1	e2	e3	F	G	h	i	ØJ
FS2883	21 1/3"	19 7/8"	2 1/8"	5/8"	10 7/8"	20 1/4"	13 5/6"	3/4"	8 5/6"	8"	5 3/4"	10 1/2"	8 1/4"	11 3/4"	2" S	1 1/2" T	2" T	1 1/2" T	1 3/4"

PART #	A max	A min	A1 max	A1 min	ØB	C	C1	c2	c3	D1	D2	e1	e2	e3	F	G	h	i	ØJ
FS2884	21 1/3"	19 7/8"	2 1/8"	5/8"	10 7/8"	23 5/6"	17 1/2"	3/4"	12 1/2"	15 1/3"	5 3/4"	17 5/6"	8 1/4"	19 1/3"	2" S	1 1/2" T	2" T	1 1/2" T	1 3/4"



FS2884



# LADDERS, SKIMMERS and HANDRAILS

## Skimmers



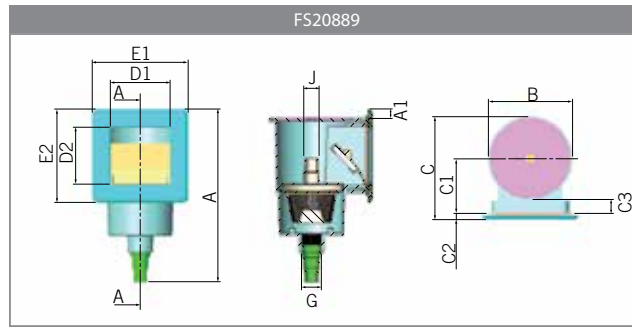
**FS20889**

### STANDARD ABOVE-GROUND SKIMMERS

Standard skimmers are constructed with injection molded polypropylene. Features a standard pull off style and edge clips to lock down leaf basket and vacuum plate. 1 ¼ x 1 ½ Vinyl wall return fitting included.

PART #	A max	ØB	C	C1	c2	c3	D1	D2	e1	e2	G	ØJ
FS20889	16 7/16"	8"	9 13/16"	5 1/4"	5/8"	1 5/16"	5 11/16"	5 7/16"	9 1/6"	8 11/12"	1 1/2"	1 1/2"

ABOVE-GROUND SKIMMERS	MODEL #	# of CARTONS	WEIGHT (lbs)
Standard Above Ground Skimmer	FS20889	1	11



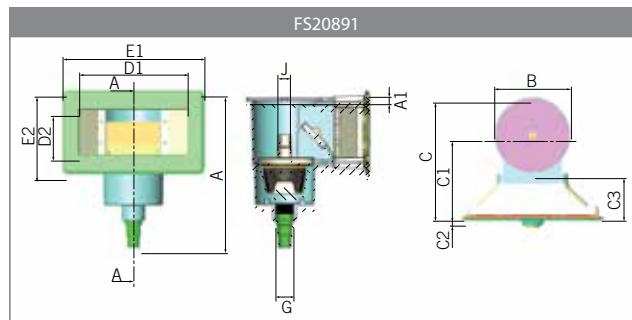
**FS20891**

### WIDE MOUTH ABOVE-GROUND SKIMMERS

Wide mouth skimmers are constructed with injection molded polypropylene. Features a standard pull off style and edge clips to lock down leaf basket and vacuum plate. 1 ¼ x 1 ½ Vinyl wall return fitting included.

PART #	A max	ØB	C	C1	c2	c3	D1	D2	e1	e2	G	ØJ
FS20891	6 1/3"	8"	12 1/3"	8 1/3"	1/2"	4 2/5"	11 1/3"	4 3/4"	14 5/6"	8 3/4"	1 1/2"	1 1/2"

ABOVE-GROUND SKIMMERS	MODEL #	# of CARTONS	WEIGHT (lbs)
Standard Wide Mouth Above Ground Skimmer	FS20891	1	13



# VALVES

## True Union Ball Valves - Newval Series



### PVC TRUE UNION - SOCKET

Seats: HDPE  
O-rings: EPDM

- “Antiblock” system that avoids ball blockage
- 100% factory tested
- Minimal pressure drop
- Low operating torque
- Resistance to many inorganic chemicals
- Excellent flow characteristics
- Sizes from 1.5” - 3.0”
- O-rings available in EPDM
- Ball seat available in HDPE

Size	Reference	psi	Pack	Weight (lb)	Q	MODEL #
1¼”	MA2004	240	B	6.01	6	MA2004
1½”	MA2005	240	D	24.86	16 (8)	MA2005
2”	MA2006	240	D	28.38	12	MA2006
2½”	MA2007	150	D	23.98	4 (1)	MA2007
3”	MA2008R	150	D	25.30	4 (1)	MA2008R

## True Union Ball Valves - e-QUA Series



### PVC TRUE UNION - SOLVENT SOCKET

Seats: HDPE  
O-rings: EPDM  
180psi @ 73° F

- PN 12
- “Antiblock” system that avoids ball blockage
- 100% factory tested
- Minimal pressure drop
- Low operating torque
- Resistance to many inorganic chemicals
- Ideally suited for swimming pool applications
- Excellent flow characteristics
- Sizes from D50 to D63 (1.5” - 2.0”)
- Available standards: ANSI/ASTM
- Threaded versions: NPT
- O-Rings in EPDM
- Ball seat in HDPE

Size	Reference	psi	Pack	Weight (lb)	Q	MODEL #
1½”	60 62 905 MA	180	C	15.4	10	43735
2”	60 62 906 MA	180	D	28.7	10	43736

# VALVES

## Butterfly Valves - Standard Series



### PVC WITH LEVER HANDLE

Zinc plated steel stem

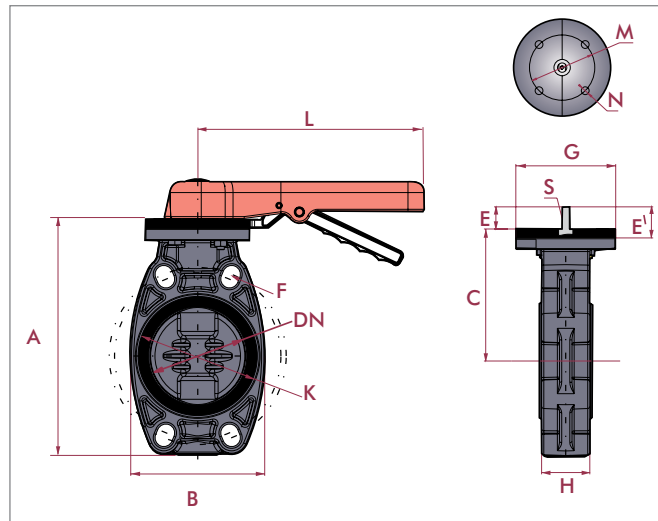
Valve disc: PVC

O-Rings: EPDM

150psi @ 73° F

- Ideally suited for flow control using minimal piping space
- 100% factory tested
- Minimal pressure drop
- Low maintenance
- Resistance to many inorganic chemicals
- Excellent flow characteristics
- Good mechanical strength
- One piece PVC body
- New disc design in PVC
- Sizes from 2.0" to 4.0"
- Available standards: ANSI/ASTM
- Rubber seal available in EPDM
- Non-wetted zinc plated steel stem
- Built in lockout feature to prevent undesired operations
- Ideally suited for irrigation installations or swimming pools

Size	Reference	psi	Pack	Weight (lb)	Q	MODEL #
2" - 2½"	05 83 075	150	0.459	7.26	2	32614
3"	05 83 090	150	0.459	8.36	2	32615
4"	05 83 110	150	0.530	11.44	2	32616





**ASTRALPOOL** 

AstralPool® is a brand of

**FLUIDRA** 

25 Rutgers Avenue  
Cedar Grove, NJ 07009  
877-278-2359  
[www.astralpoolusa.com](http://www.astralpoolusa.com)

Item#: FS18096